

# PORCELAIN LANDSCAPE TILE

## INSTALLATION GUIDE



**UNILOCK**<sup>®</sup>  
DESIGNED TO CONNECT.

# PORCELAIN LANDSCAPE TILE

## INSTALLATION GUIDE



### TABLE OF CONTENTS

Installation Notes, PPE, Disclaimer.....	3
<b>OVER WOOD</b>	
Wood Deck Veneer - <i>Structural Underlayment for Elevated Decks</i> .....	4
Wood Deck Veneer - <i>Low Profile Pedestal</i> .....	5
<b>OVER CONCRETE</b>	
New or Existing Concrete Patio, Porch or Balcony Overlay - <i>Modified Mortar Bedding</i> .....	6
Existing Concrete Patio, Porch or Balcony Overlay - <i>Cementitious Bedding</i> .....	7
Pedestal on Concrete Application.....	9
<b>ON AGGREGATE BASE</b>	
Open Graded Base - Rigid Bedding.....	8
Open Graded Base - Flexible Bedding .....	9
Interlocking Polyethylene Foam Board (IPFB).....	10
<b>SPECIALTY APPLICATION</b>	
Pool Coping and Pool Deck .....	11

# PORCELAIN LANDSCAPE TILE

## INSTALLATION GUIDE



The successful installation of porcelain landscape tile from Unilock is dependent on the structural integrity of what lies below the surface of the slabs. This will include many factors such as wood or concrete decking integrity, site drainage, cutting, and quality of concrete mortars and grouts.

### INSTALLATION NOTES

1. All installations and their respective bases indicated in this guide, should always be installed on undisturbed native subsoil. Provisions for drainage and load-bearing capacity are ultimately the installer's responsibility and can be managed by slope, drains or depth of base.
2. Only use cementitious adhesives, modified mortars and grouts that are approved for exterior use. Always observe manufacturer's directions and be sure to conform to all ACI (American Concrete Institute) and PCA (Portland Cement Association) standards. Always install in accordance with ASTM C615, Standard Specification for Granite Dimension Stone; ANSI/CTI A108.1, Specification for the Installation of Ceramic Tile; and Terrazzo Tile and Marble Association of Canada (TTMAC), Specification Guide 09 30 00 Tile Installation Manual.
3. Building code requirements may vary. Always review local building codes prior to design and construction.
4. Use only approved geotextiles and geogrids.
5. **DO NOT** compact the surface of porcelain landscape tile with a plate compactor.
6. Porcelain landscape tile installations must always have joints 1/8" - 3/16" (3mm - 4mm). The use of spacers is recommended.
7. Use only diamond blades specifically designed for cutting porcelain landscape tile. Always "wet-cut" porcelain landscape tile and wash slurry residue before installing.
8. Impervious sub-structures must always be sloped for drainage or be designed with provisions for drainage.
9. Thicknesses of base, concrete and bedding indicated in these details are typical. Actual design specifications should always be determined by a qualified professional. All base materials must be placed over undisturbed subsoil and compacted to 95% SPD. Never lay product on topsoil.

### PERSONAL PROTECTIVE EQUIPMENT (PPE)

Personal Protective Equipment (PPE) should be worn on site such as goggles, N100 stone dust rated masks and gloves, especially when the units are being cut. A minimum requirement for personal protective equipment on site should include a hardhat, protective gloves, protective shoes and high visibility clothing.

### DISCLAIMER

The cross sections and diagrams included in this document are intended for the preliminary design and installation of porcelain landscape tile. Unilock cannot guarantee and will not be held responsible for any installation failure and accepts no liability for the improper use of these details.

It is the installer's responsibility to ensure that all site and structural factors are properly addressed and a structural engineer may be required to provide site-specific engineering and installation specifications.

**NOTE:** Unilock cannot guarantee the tensile strength of porcelain landscape tile for pedestal applications or when substructures shift or deteriorate.



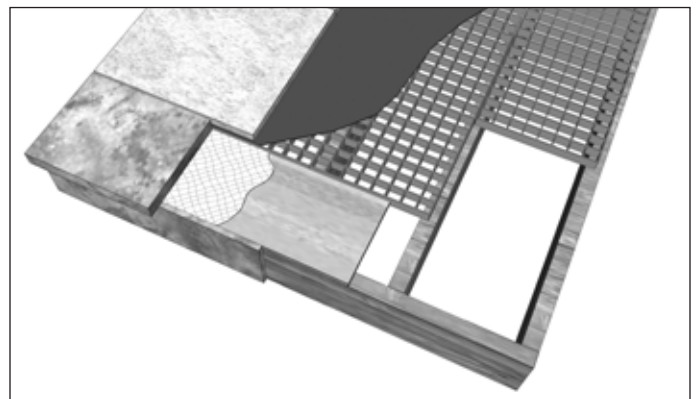
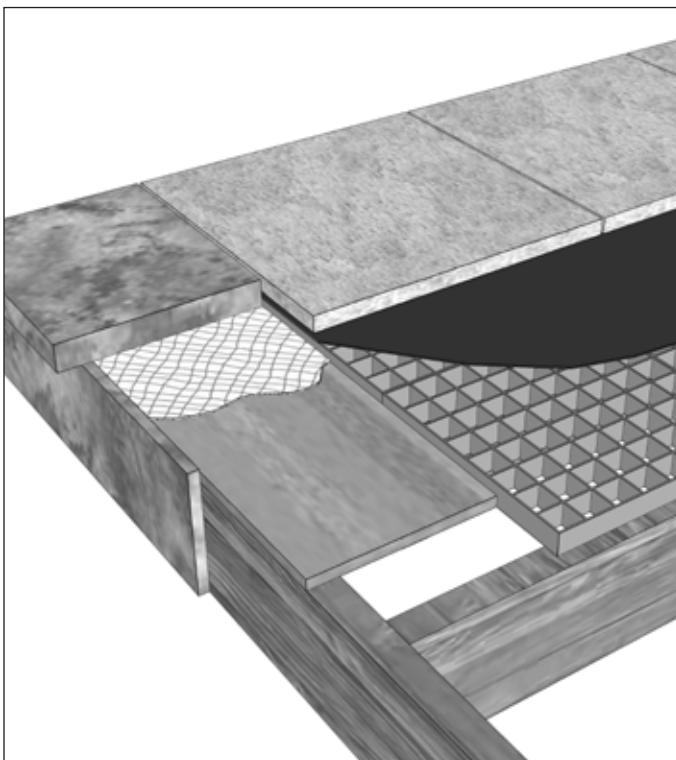
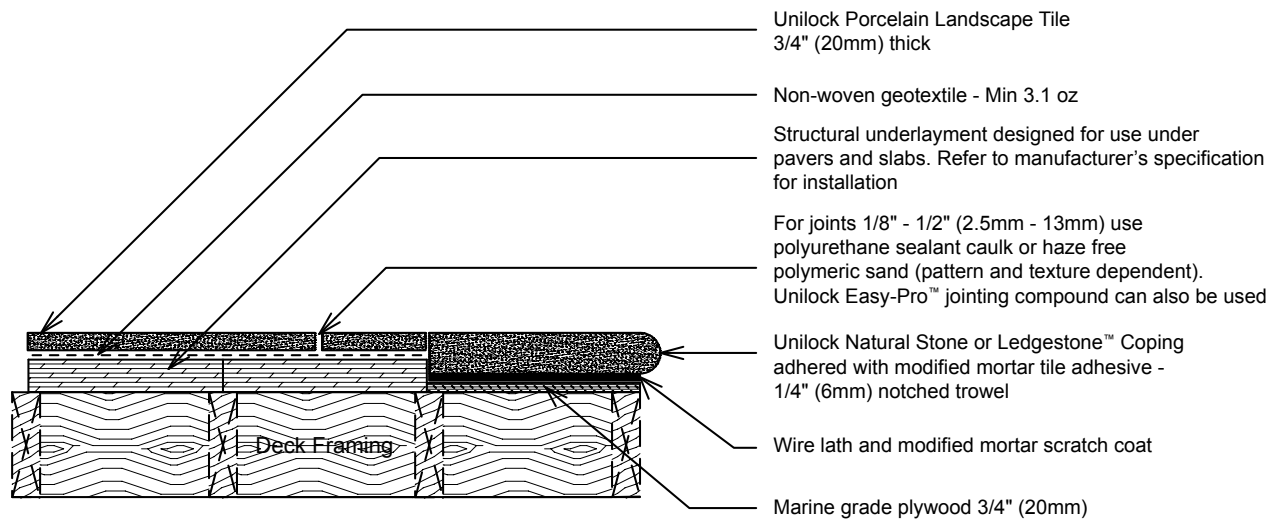
# PORCELAIN LANDSCAPE TILE

## INSTALLATION GUIDE

**UNILOCK**<sup>®</sup>  
DESIGNED TO CONNECT.

### WOOD DECK VENEER

- STRUCTURAL UNDERLAYMENT FOR ELEVATED DECKS



**Note:** The success of any porcelain installation over wood decking is entirely dependent on the decking structure. Always refer to underlayment manufacturer's specification for new or existing deck installations, and always follow local building codes.

To accommodate varying heights, structural underlayment can also be cut and recessed between joists.

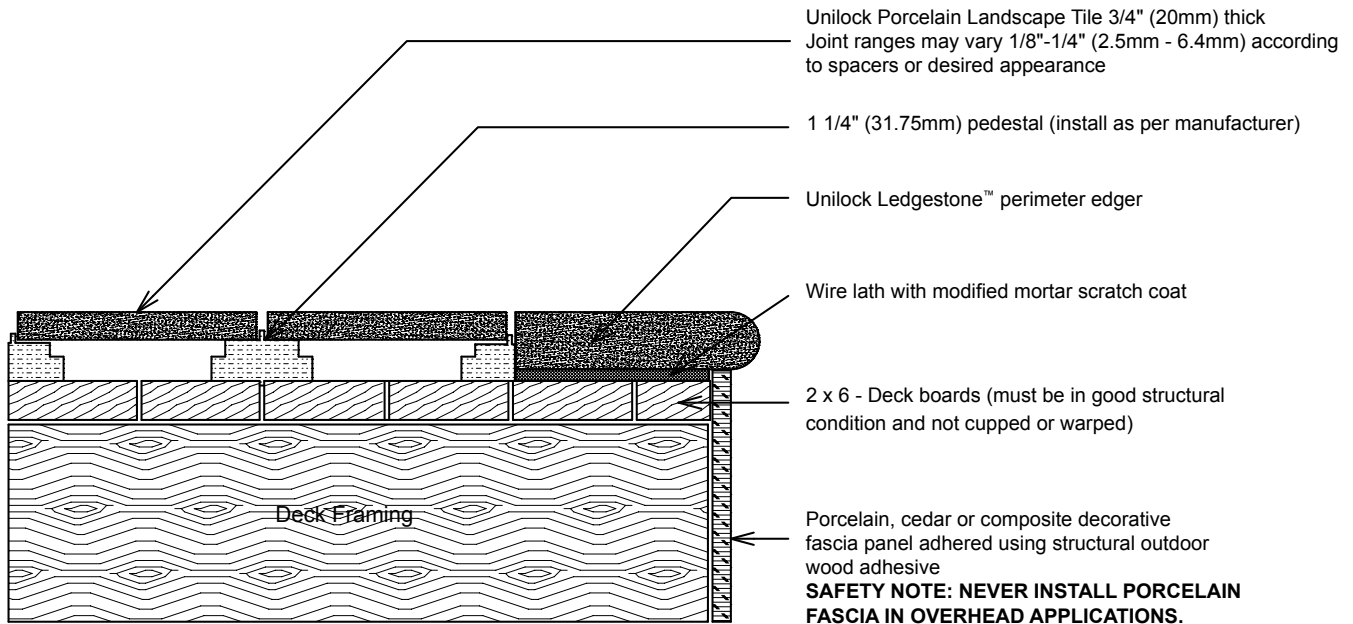
# PORCELAIN LANDSCAPE TILE

## INSTALLATION GUIDE

**UNILOCK**  
DESIGNED TO CONNECT.

### WOOD DECK VENEER

#### - LOW PROFILE PEDESTAL



**NOTE:** The longevity of this installation method is directly related to the quality and structural integrity of the wood decking materials.



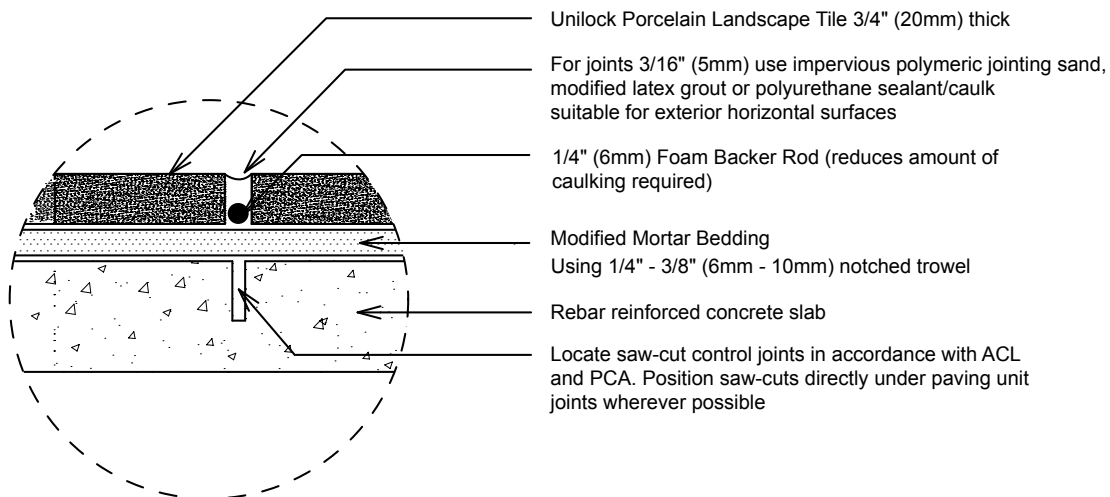
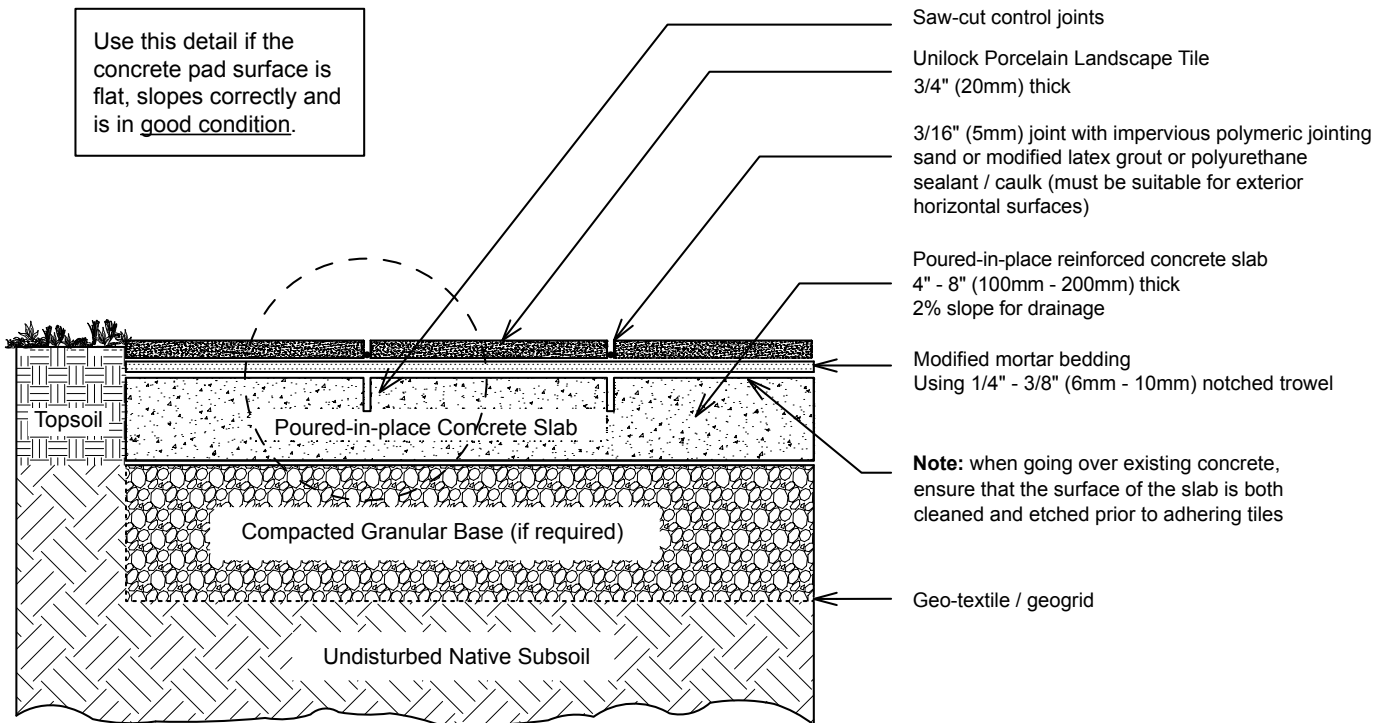
# PORCELAIN LANDSCAPE TILE

## INSTALLATION GUIDE



### NEW OR EXISTING CONCRETE PATIO, PORCH OR BALCONY OVERLAY - MODIFIED MORTAR BEDDING

Use this detail if the concrete pad surface is flat, slopes correctly and is in good condition.



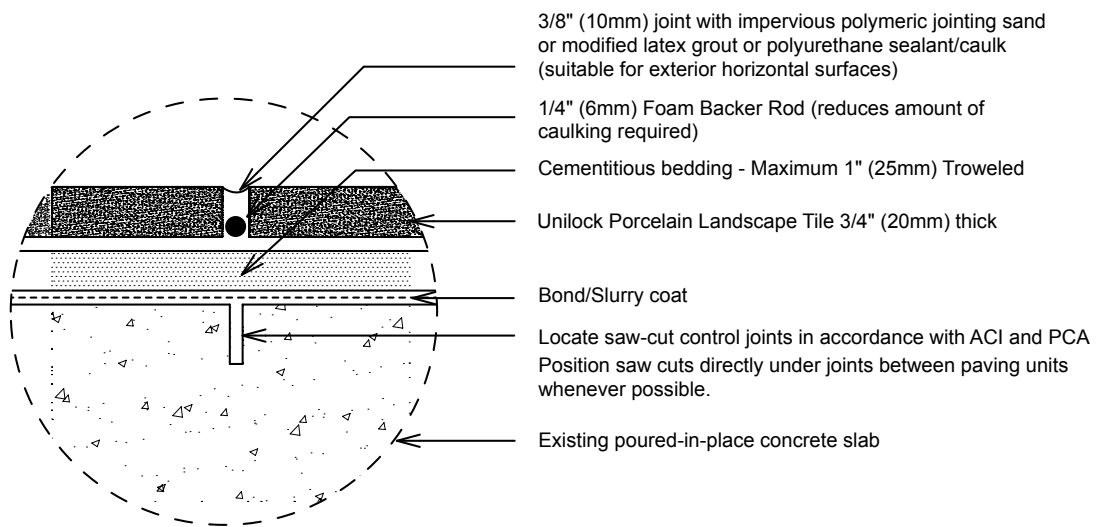
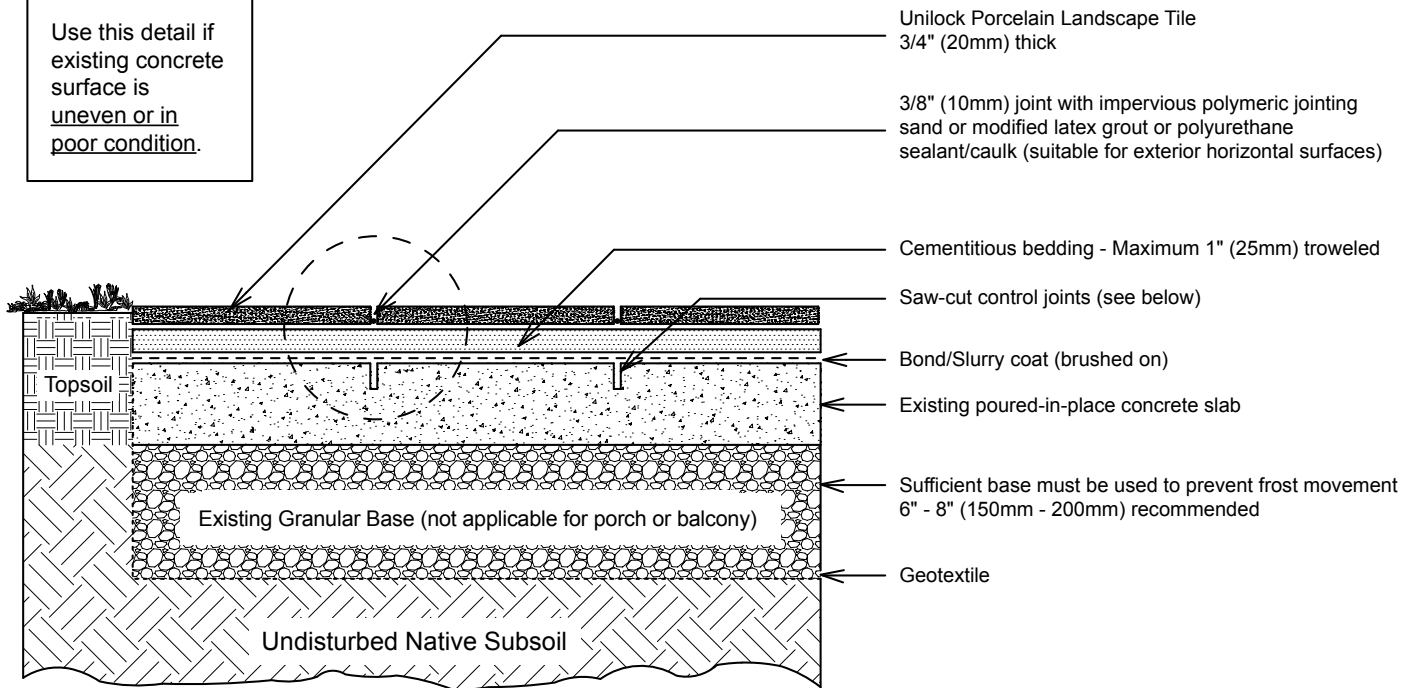
# PORCELAIN LANDSCAPE TILE

## INSTALLATION GUIDE



### EXISTING CONCRETE PATIO, PORCH OR BALCONY OVERLAY - CEMENTITIOUS BEDDING

Use this detail if existing concrete surface is uneven or in poor condition.

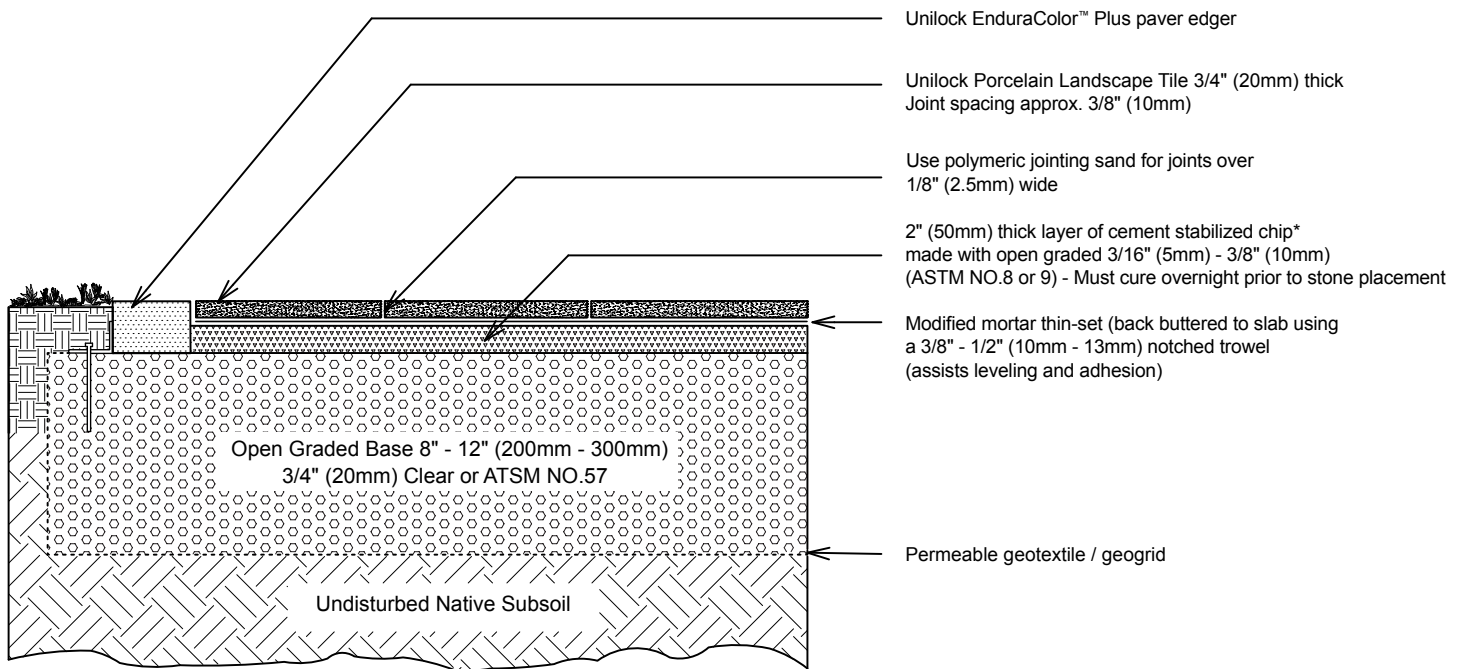


# PORCELAIN LANDSCAPE TILE

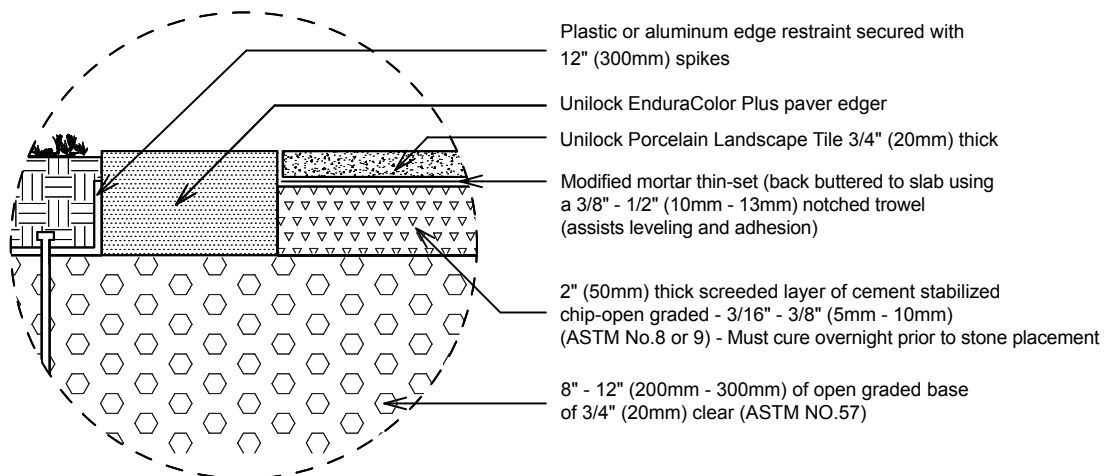
## INSTALLATION GUIDE

**UNILOCK**  
DESIGNED TO CONNECT.

### OPEN GRADED BASE - RIGID BEDDING (STABILIZED CHIP) - FULLY PERMEABLE



\*Note: Cement stabilized chip is a mixture of 80% open graded chip and 20% portland cement with enough water to create a pasty yet flow-able mix.





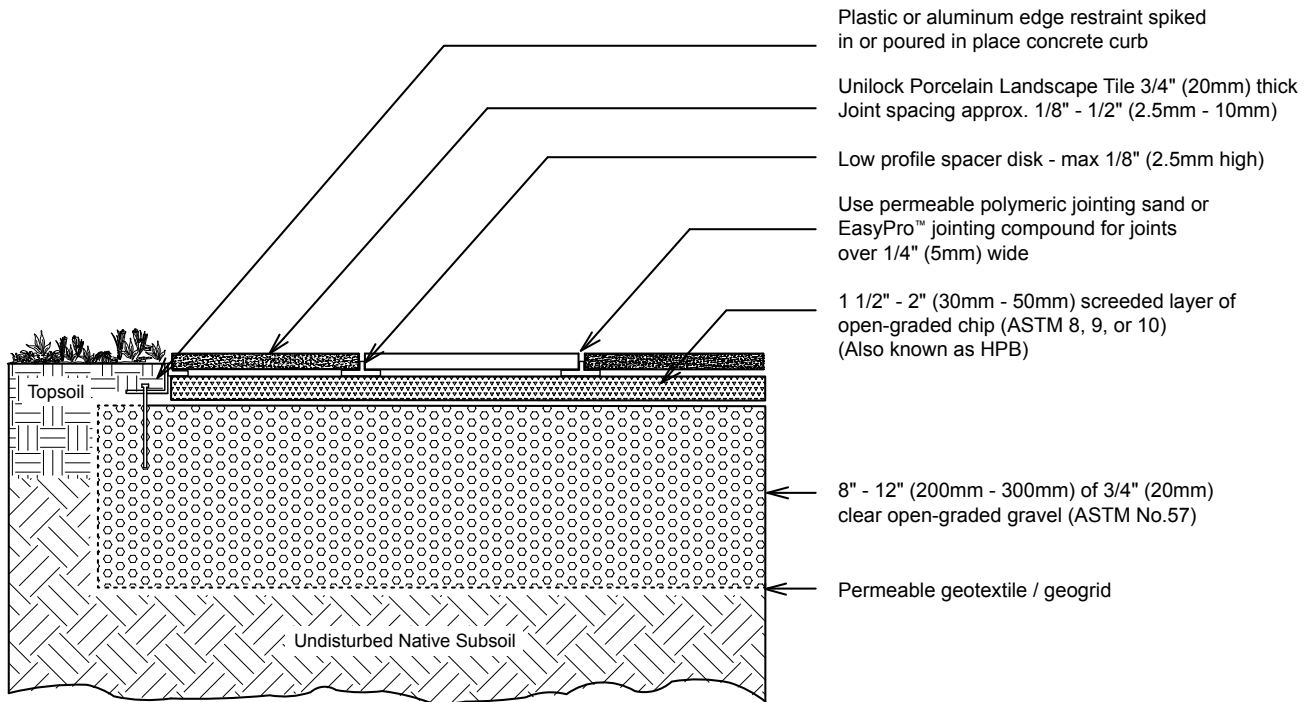
# PORCELAIN LANDSCAPE TILE

## INSTALLATION GUIDE

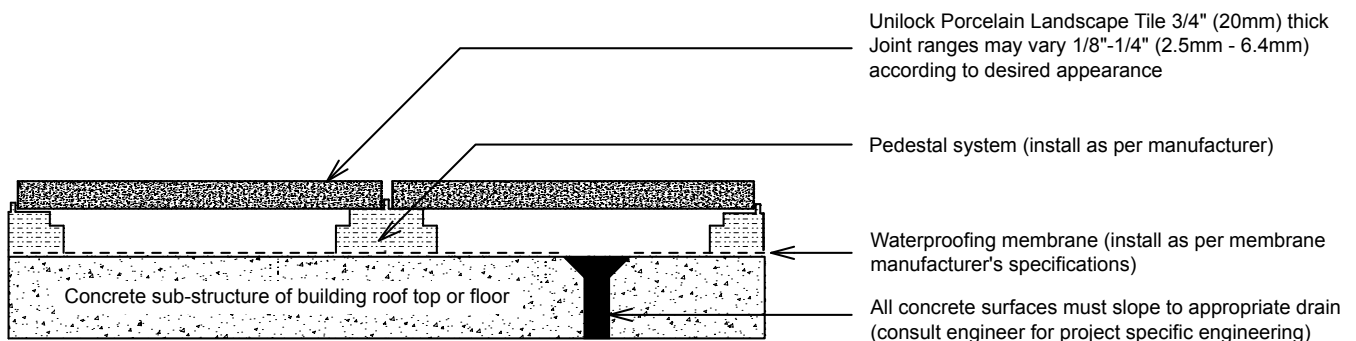
**UNILOCK**<sup>®</sup>  
DESIGNED TO CONNECT.

### OPEN GRADED BASE - FLEXIBLE BEDDING

- FULLY PERMEABLE



### PEDESTAL ON CONCRETE APPLICATION



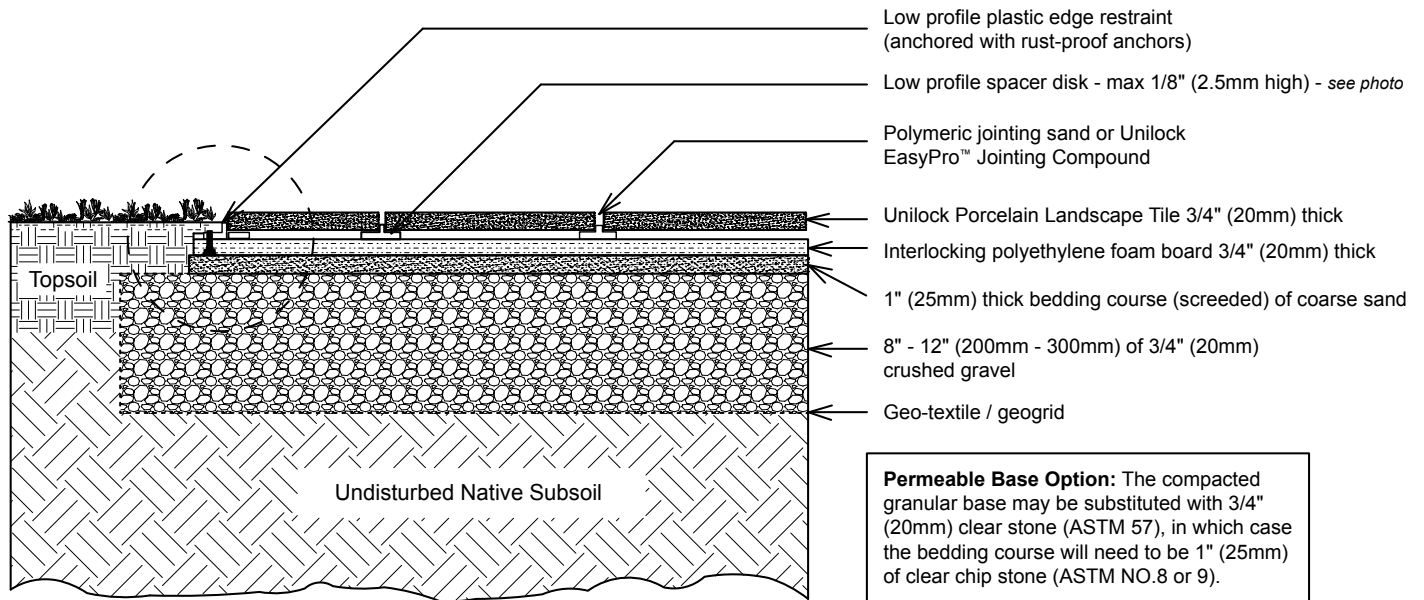
**NOTE:** Specific installation details may vary based on pedestal height, load-bearing requirements, safety standards and wind-lift. All roof top slab/pedestal installations must be engineered by a professional engineer.

# PORCELAIN LANDSCAPE TILE

## INSTALLATION GUIDE



### INTERLOCKING POLYETHYLENE FOAM BOARD (IPFB) - COMPACTED GRANULAR BASE

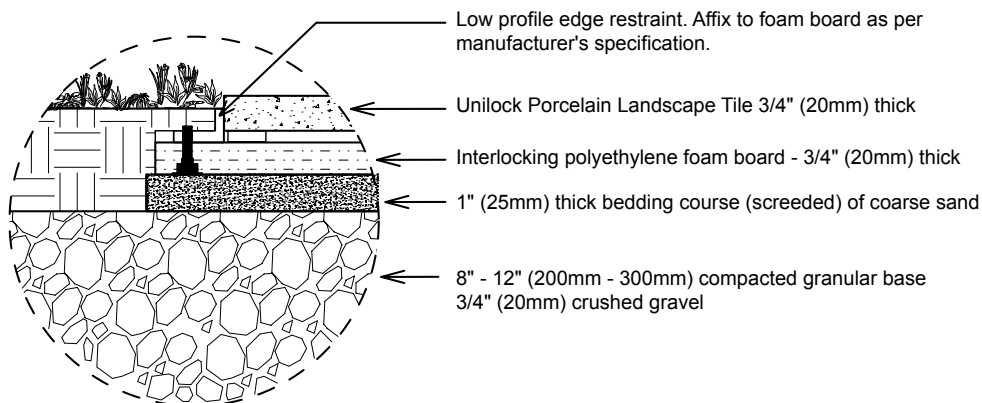


**NOTE:** Interlocking polyethylene foam board (IPFB) facilitates the rapid installation of porcelain paving slabs. Although foam board distributes load, it is important that the area below the board has good load bearing capacity and provides sufficient drainage to keep the area below free of any frost movement or settlement. IPFB's must have manufactured drainage holes.

Only use IPFB's manufactured for paving applications. **DO NOT** use for vehicular applications.



*Low profile spacer disk.*

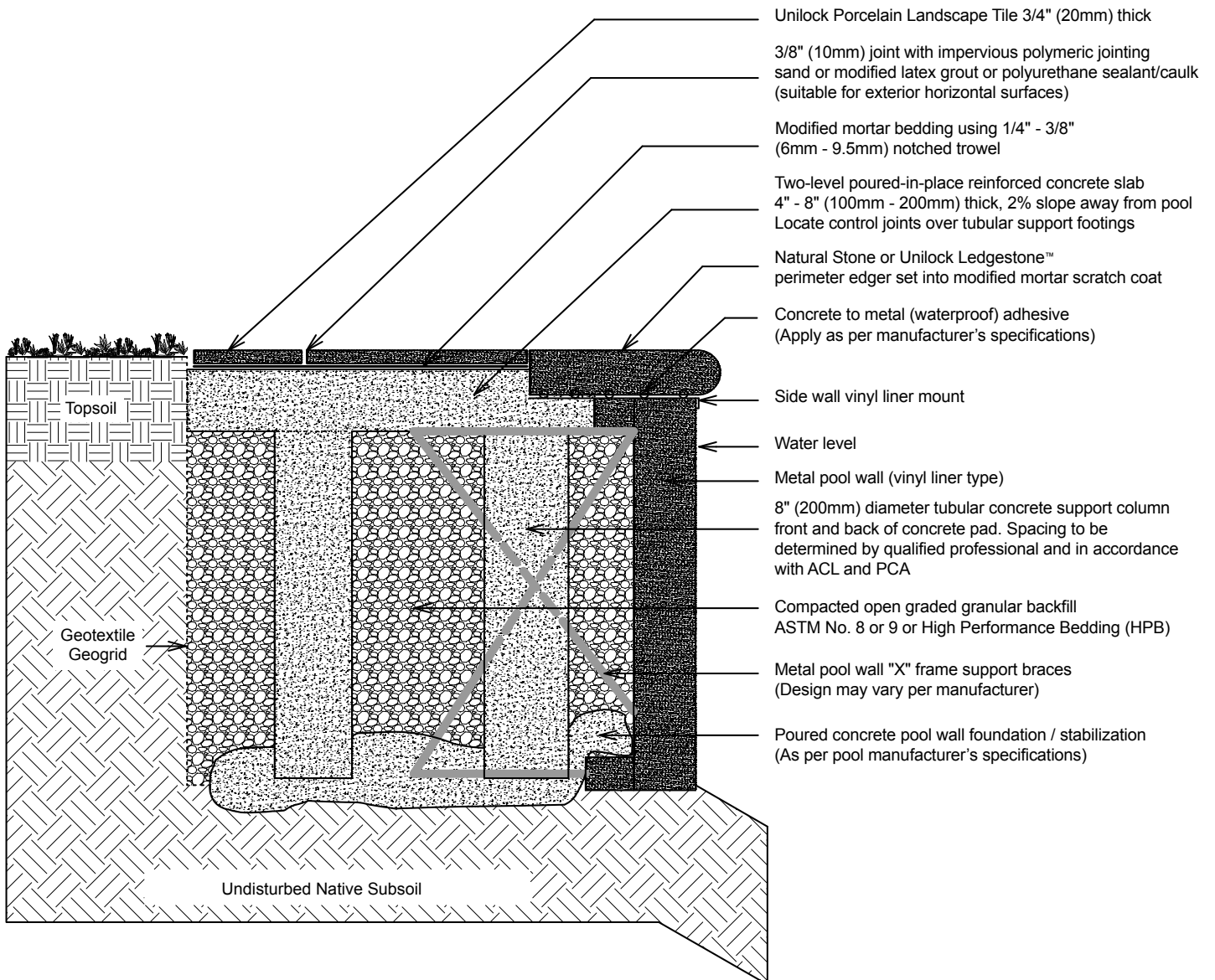


# PORCELAIN LANDSCAPE TILE

## INSTALLATION GUIDE

**UNILOCK**  
DESIGNED TO CONNECT.

### POOL COPING AND POOL DECK





# PORCELAIN LANDSCAPE TILE

## INSTALLATION GUIDE

**UNILOCK**  
DESIGNED TO CONNECT.

UNILOCK.COM | 1-800-UNILOCK